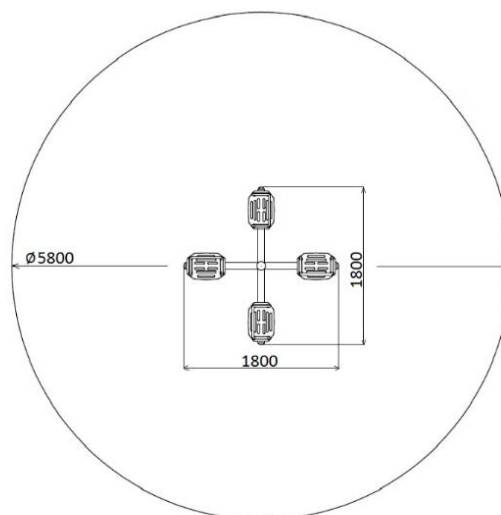
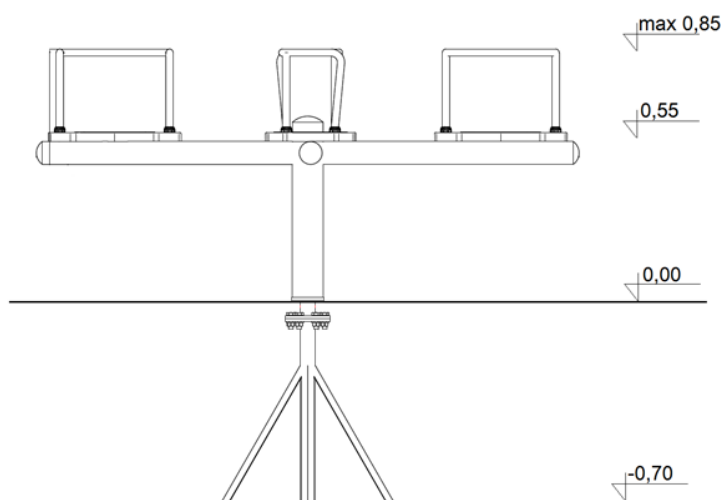


Technical specification:

LENGTH:	1800 mm
WIDTH:	1800 mm
TOTAL HEIGHT:	850 mm
TOTAL WEIGHT:	80 kg
SAFETY ZONE:	Ø 5500 mm
AGE GROUP:	3-12 yrs
FREE FALL HEIGHT:	550 mm
IN COMPLIANCE WITH STANDARD:	EN 1176-1:2017, EN 1176-5:2019
AVAILABILITY OF SPARE PARTS:	YES
PRODUCT GROUP:	COMMERCIAL PLAYGROUND



Specyfikacja materiałowa:

Steel construction hot-dip galvanized and powder coated.

Rubber seats with aluminium insert plate.

All fasteners made of stainless steel.

Surface specification according to PN-EN 1176-1:2017-12:

Product requires the use of safety surface adapted to fall from a height of at least 1 meter: turf, soil, bark (size 20-80 mm), wood chips (size 5-30 mm), sand or gravel (grain size 0.25-8 mm), synthetic surface (thickness 42 mm) - minimum thickness for all loose surfaces is 20 cm.